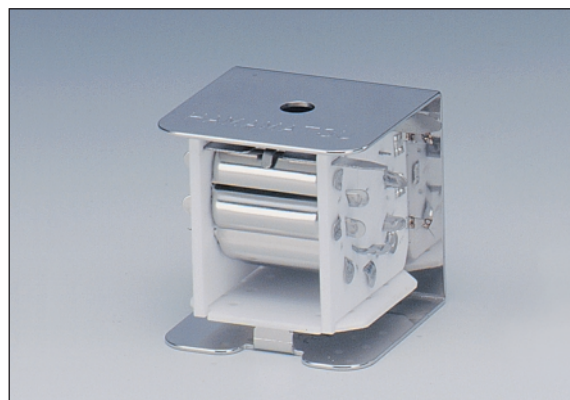


For Compact Mass Spectrometers

OVERVIEW

Quadrupole mass spectrometers used for residual gas analyzers have been downsized to solve problems of limited installation space. A trend of the downsizing would be an ever-greater degree in the future. However, it cannot be achieved just by reducing the ion source and Quadrupole electrode sizes. Small ion detector is also required essentially. To meet the requirement, Hamamatsu has developed a compact ion detector. The unique ion detector breaks the performance barriers on conventional electron multipliers and will prove the ideal result for your needs.



SPECIFICATIONS

GENERAL

Parameter	Description / Value	Unit
Input Aperture Diameter	φ3	mm
Dynode Structure	Circular cage	—
Number of Dynode Stages	13	—
First Dynode Material	Al ₂ O ₃	—
Total Built-in Resistance	13	MΩ
Operating Ambient Temperature	-30 to +50	°C
Storage Temperature	-80 to +50	°C
Polarity of Detected Ions	Positive	—

MAXIMUM RATINGS

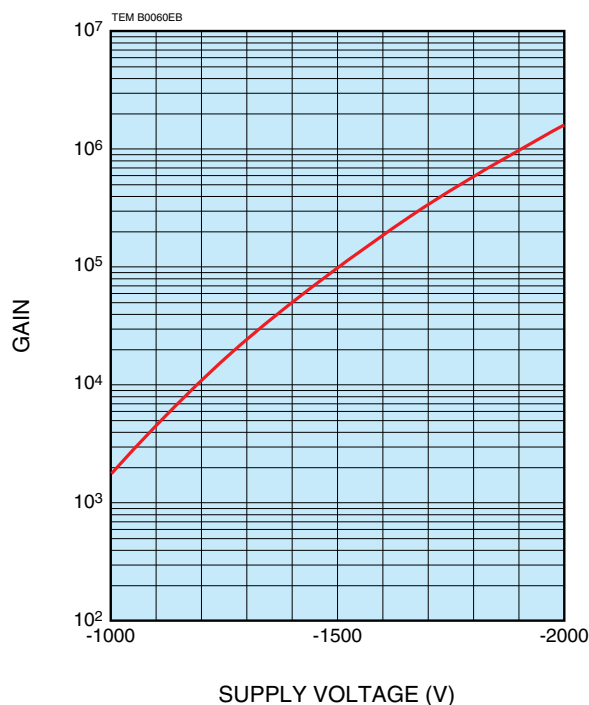
Parameter	Value	Unit
Anode to First Dynode Voltage	-2000	V
Anode to Last Dynode Voltage	200	V
Faraday Cup Voltage	200	V
Operating Vacuum Level	1 × 10 ⁻²	Pa
Bake-Out Temperature (at 5 × 10 ⁻³ Pa)	350	°C
Average Anode Current ^(A)	10	μA
Operating Gain	1 × 10 ⁷	—

CHARACTERISTICS

Parameter	Value	Unit
Recommended Supply Voltage	-1500	V
Gain (Typ.)	1 × 10 ⁵	—
DC Linearity (Typ.)	5	μA
Dark Current (Max.)	1	pA
Rise Time (Typ.)	1.6	ns
Anode to All Other Electrode Capacitance	0.75	pF

NOTE: (A) Averaged over any interval of 30 seconds maximum.

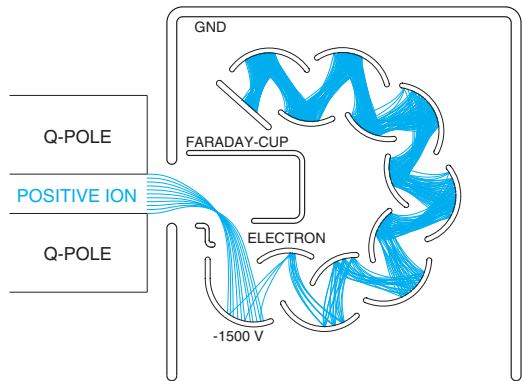
Figure 1: Typical Gain



ELECTRON MULTIPLIER R8811

STRUCTURE

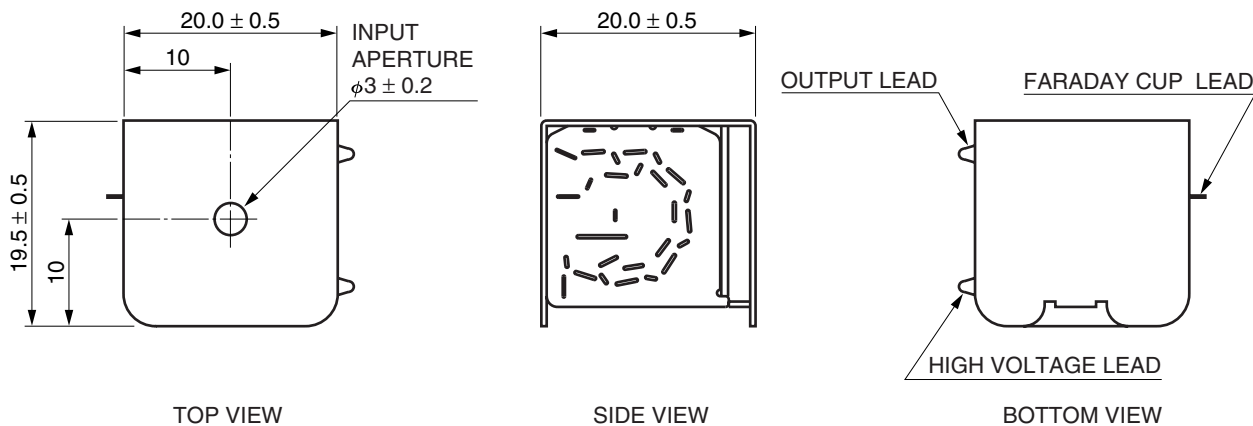
This electron multiplier has an off-axis structure and a Faraday cup needed for ion detection in Quadrupole mass spectrometers which are capable of making precise measurements over a wide dynamic range with a high S/N. The structure also incorporates a voltage divider, which is essential for discrete type electron multipliers. By simply wiring the high voltage, the signal and the Faraday cup, reliable operation can be achieved without adding any other parts.



TEM C0025EB

Ions emitted from Quadrupole are multiplied while being deflected and focused by the electron lens created by the combination of the Faraday cup, the ion deflection electrodes and the electron multiplier electrodes. The layout of the Faraday cup, the ion deflection electrodes and the electron multiplier electrodes are designed by special 3D simulation of ion and electron trajectories. This layout allows detecting the input ions with high efficiency.

DIMENSIONAL OUTLINE (Unit: mm)



TEM A0021EA

HAMAMATSU PHOTONICS K.K. www.hamamatsu.com

HAMAMATSU PHOTONICS K.K., Electron Tube Division

314-5, Shimokanzo, Iwata City, Shizuoka Pref., 438-0193, Japan, Telephone: (81)539/62-5248, Fax: (81)539/62-2205

U.S.A.: Hamamatsu Corporation: 360 Foothill Road, Bridgewater, N.J. 08807-0910, U.S.A., Telephone: (1)908-231-0960, Fax: (1)908-231-1218 E-mail: usa@hamamatsu.com

Germany: Hamamatsu Photonics Deutschland GmbH: Arzbergerstr. 10, D-82211 Herrsching am Ammersee, Germany, Telephone: (49)8152-375-0, Fax: (49)8152-2658 E-mail: info@hamamatsu.de

France: Hamamatsu Photonics France S.A.R.L.: 19, Rue du Saule Trapu, Parc du Moulin de Massy, 91882 Massy Cedex, France, Telephone: (33)1 69 53 71 00, Fax: (33)1 69 53 71 10 E-mail: infos@hamamatsu.fr

United Kingdom: Hamamatsu Photonics UK Limited: 2 Howard Court, 10 Tewin Road, Welwyn Garden City, Hertfordshire AL7 1BW, United Kingdom, Telephone: (44)1707-294888, Fax: (44)1707-325777 E-mail: info@hamamatsu.co.uk

North Europe: Hamamatsu Photonics Norden AB: Torshamnsgatan 35 SE-164 40 Kista, Sweden, Telephone: (46)8-509-031-00, Fax: (46)8-509-031-01 E-mail: info@hamamatsu.se

Italy: Hamamatsu Photonics Italia S.r.l.: Strada della Moia, 1 int. 6, 20020 Arese (Milano), Italy, Telephone: (39)02-93581733, Fax: (39)02-93581741 E-mail: info@hamamatsu.it

China: Hamamatsu Photonics (China) Co., Ltd.: B1201 Jiaming Center, No.27 Dongsanhuan Beilu, Chaoyang District, Beijing 100020, China, Telephone: (86)10-6586-6006, Fax: (86)10-6586-2866 E-mail: hpc@hamamatsu.com.cn

TPMH1340E02
AUG. 2014 IP